



TWO POSITION TURNTABLE WITH LIFT & TILT DECKS

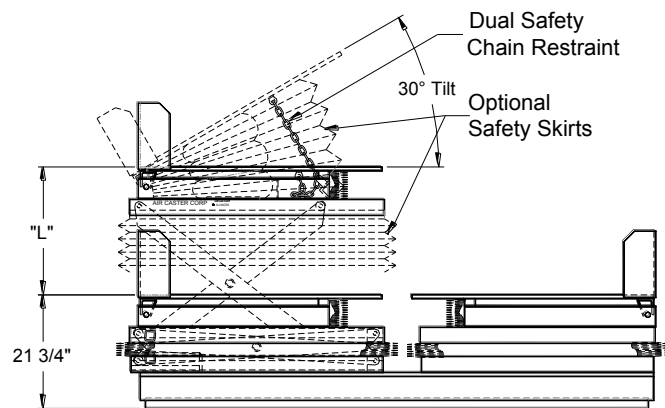
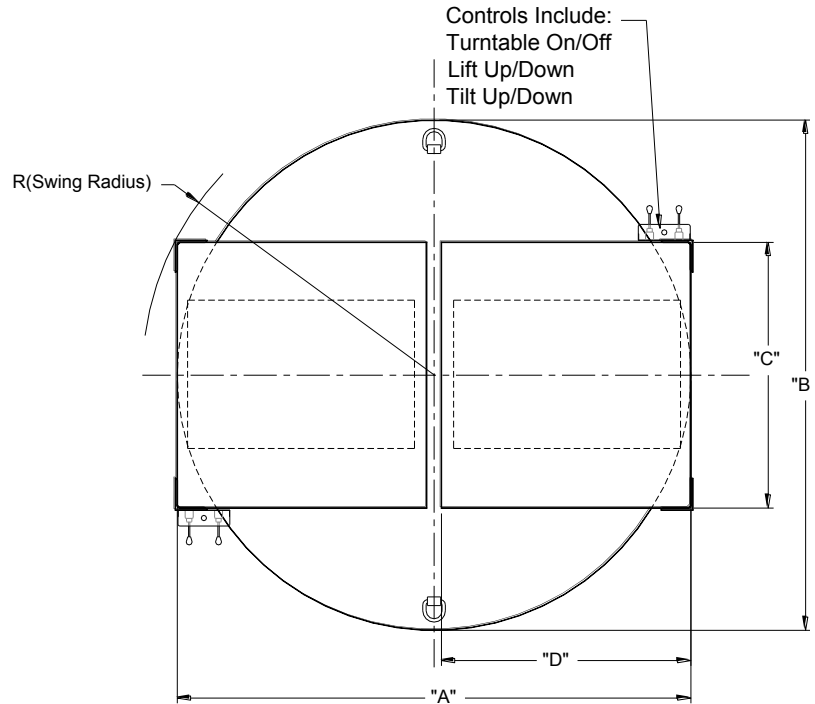
**BULLETIN
NO. 106E-12**

TURNTABLE SPECIFICATIONS

- Capacity: 2,000 to 4,000 lbs. Per Position
- Requires 30-40 CFM
- Pressure Of 85 to 100 PSI
- Manual Rotation
- Lift Of 20" to 24"
- Tilt Of 30°

AVAILABLE OPTIONS

- Powered Rotation
- Automatic Shutoff
- Rotation Stops
- Accordion Skirts On Lifts & Tilt



Boxed Section is Container Space.

MODEL NO. *	CAPACITY PER POSITION	DIMENSIONS (in.)					LIFT (in.)	WT. (lbs.)
		A	B	C	D	R		
TLT22-3835	2,000	73	72	38	35	41 $\frac{3}{4}$	20	3,720
TLT22-5047	2,000	97	96	50	47	55 $\frac{5}{8}$	24	5,940
TLT24-5047	4,000	97	96	50	47	55 $\frac{5}{8}$	24	6,000
TLT22-5650	2,000	103	102	56	50	59 $\frac{5}{8}$	24	6,230
TLT24-5650	4,000	103	102	56	50	59 $\frac{5}{8}$	24	6,290
TLT22-11050	2,000	103	102	110	50	75 $\frac{5}{8}$	24	9,060
TLT24-11050	4,000	103	102	110	50	75 $\frac{5}{8}$	24	9,180

* OTHER SIZES AVAILABLE. CONSULT FACTORY.