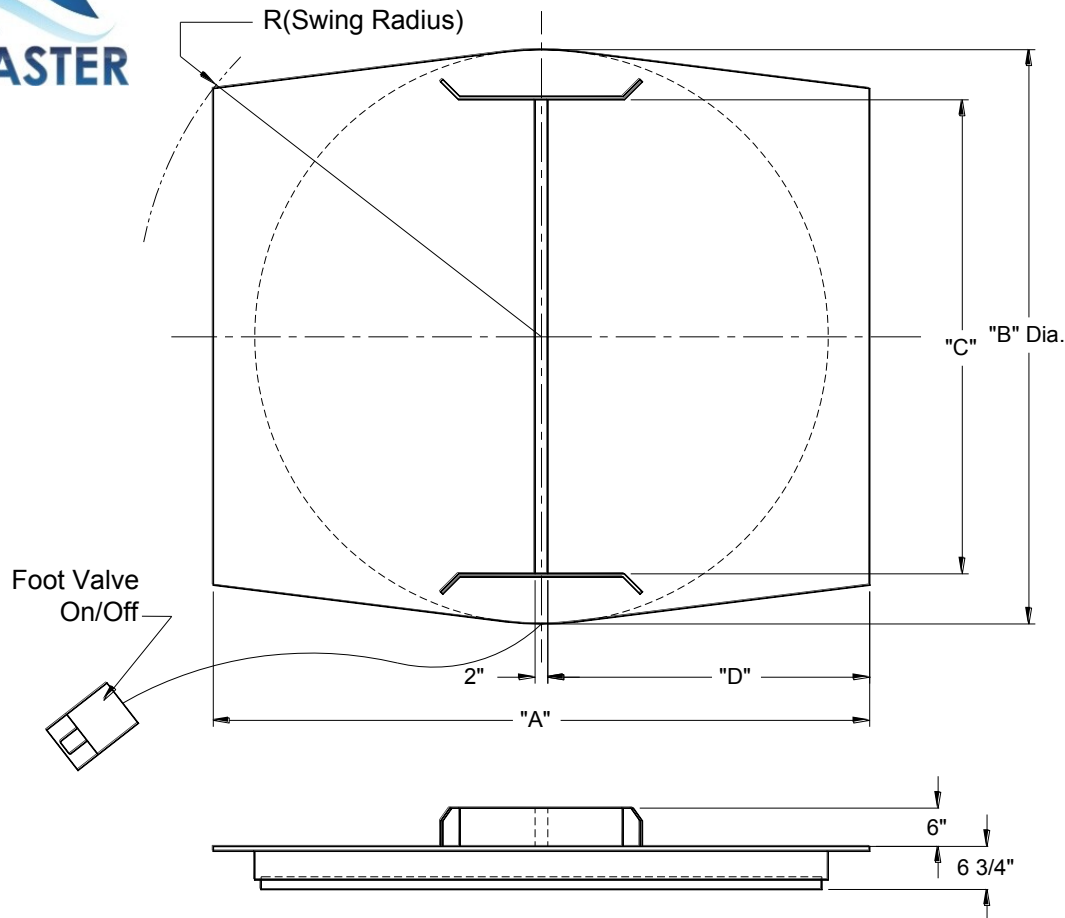




# TWO POSITION PLATFORM STYLE TURNTABLES

**BULLETIN  
NO. 106E-2**



## SPECIFICATIONS

- Capacity Is 4,000 lbs. Per Position
- Requires 20-30 CFM
- Pressure Of 60 to 100 PSI
- Manual Rotation

## AVAILABLE OPTIONS

- Powered Rotation
- Automatic Shutoff
- Rotation Stops

Boxed Section is Container Space.

MODEL NO. *	DIMENSIONS (in.)					WEIGHT (lbs.)
	A	B	C	D	R	
T2-3835	72	72	38	35	40 $\frac{3}{4}$	2,090
T2-8441	84	84	84	41	59 $\frac{1}{2}$	2,730
T2-5047	96	96	50	47	54 $\frac{1}{8}$	3,460
T2-5650	102	96	56	50	58 $\frac{1}{4}$	3,575
T2-11050	102	102	110	50	75	3,990
T2-9856	114	96	98	56	75 $\frac{1}{4}$	3,870

\* OTHER SIZES AVAILABLE. CONSULT FACTORY.