



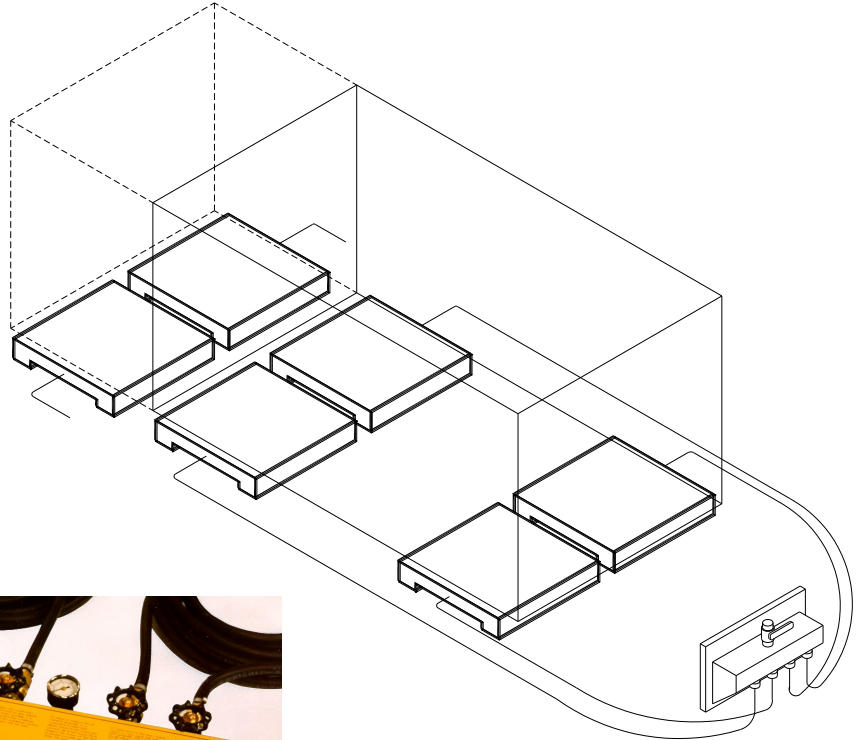
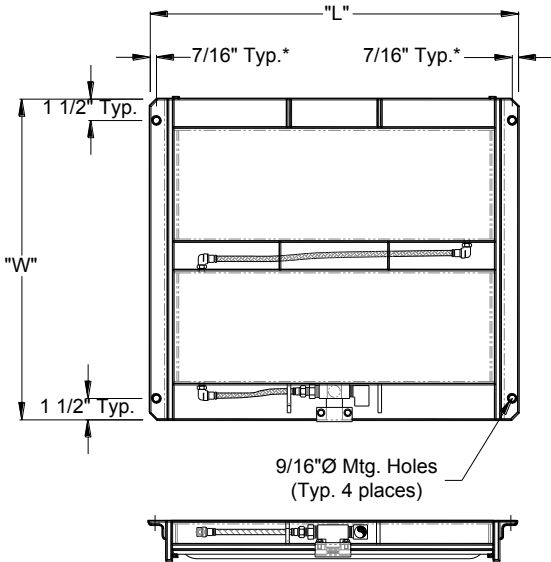
# STEEL SINGLE CASTER LOADMOVERS

**BULLETIN  
NO. 106B**

## TYPICAL ARRANGEMENT

4 Loadmovers  
6 Loadmovers

### DIMENSIONS



*\*Consult Factory for  
mounting hole  
Locations for SL20-1  
and SL36-1.*



**AIR MANIFOLD  
PACKAGE**

MODEL NO.	CAPACITY (POUNDS)	SIZE (in .)			AIR CASTER	INLET (npt)	AIR FLOW (cfm)	LIFT (in.)	WEIGHT (lbs.)	AIR MANIFOLD **	
		L	W	H						FOR 4 UNIT	FOR 6 UNIT
SLI-I	1,000	13 <sup>3</sup> / <sub>8</sub> x	10 <sup>1</sup> / <sub>2</sub> x	2 <sup>5</sup> / <sub>8</sub>	AC-10-1	1/4	8	1/4	28	AM-1-4	AM-1-6
SL3-1	2,500	17 <sup>7</sup> / <sub>8</sub> x	14 <sup>1</sup> / <sub>2</sub> x	2 <sup>5</sup> / <sub>8</sub>	AC-14	1/4	12	1/2	45	AM-2-4	AM-2-6
SL5-1	5,000	21 <sup>7</sup> / <sub>8</sub> x	18 <sup>1</sup> / <sub>2</sub> x	2 <sup>3</sup> / <sub>4</sub>	AC-18	3/8	16	5/8	55	AM-2-4	AM-2-6
SL8-1	7,500	25 <sup>7</sup> / <sub>8</sub> x	22 <sup>1</sup> / <sub>2</sub> x	2 <sup>3</sup> / <sub>4</sub>	AC-22	1/2	20	3/4	95	AM-3-4	AM-3-6
SL15-1	15,000	33 <sup>5</sup> / <sub>8</sub> x	30 <sup>1</sup> / <sub>2</sub> x	3	AC-30	1/2	32	1	205	AM-3-4	AM-3-6
SL20-1	20,000	37 <sup>7</sup> / <sub>8</sub> x	34 <sup>1</sup> / <sub>2</sub> x	3	AC-34	3/4	36	1 <sup>1</sup> / <sub>8</sub>	250	AM-4-4	AM-4-6
SL36-1	36,000	50 <sup>7</sup> / <sub>8</sub> x	46 <sup>1</sup> / <sub>2</sub> x	5	AC-46	3/4	50	1 <sup>1</sup> / <sub>4</sub>	610	AM-4-4	AM-4-6

\*\* Air manifold includes lightweight aluminum console, ball valve on/off control, four flow control valves, pressure gauge, and four 20 foot long hose assemblies with quick disconnects. (Six flow controls and six hose assemblies for six unit Air Manifold)

- To Order:
1. Specify quantity and model number of Loadmovers required.
  2. Select Air Manifold Package used with specified Loadmovers.
  3. It is recommended a spare air caster be included with order.