



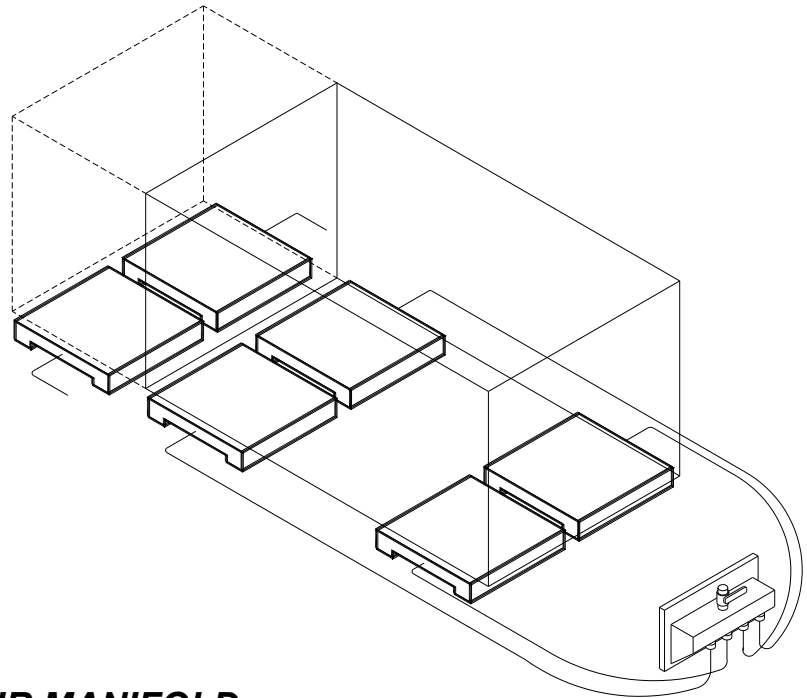
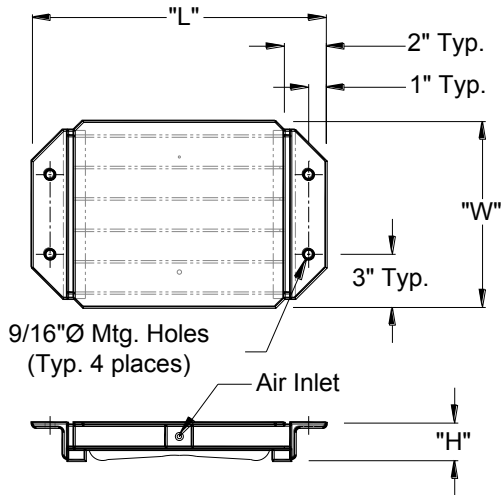
ALUMINUM SINGLE CASTER LOADMOVERS

**BULLETIN
NO. 106A**

TYPICAL ARRANGEMENT

4 Loadmovers
6 Loadmovers

DIMENSIONS



AIR MANIFOLD PACKAGE

MODEL NO.	CAPACITY (POUNDS)	SIZE (in.)			AIR CASTER	INLET (npt)	AIR FLOW (cfm)	LIFT (in.)	WEIGHT (lbs.)	AIR MANIFOLD **	
		L	W	H						FOR 4 UNIT	FOR 6 UNIT
ALI-1	1,000	16 ⁵ / ₈	10 ¹ / ₂	2 ¹ / ₈	AC-10-1	1/4	8	1/4	8	AM-1-4	AM-1-6
AL3-1	2,500	20 ⁵ / ₈	14 ¹ / ₂	2 ¹ / ₈	AC-14	3/8	12	1/2	15	AM-2-4	AM-2-6
AL5-1	5,000	24 ⁵ / ₈	18 ¹ / ₂	2 ¹ / ₄	AC-18	3/8	16	5/8	22	AM-2-4	AM-2-6
AL8-1	7,500	28 ⁵ / ₈	22 ¹ / ₂	2 ¹ / ₄	AC-22	1/2	20	3/4	32	AM-3-4	AM-3-6
AL15-1	15,000	37 ⁵ / ₈	30 ¹ / ₂	2 ¹ / ₄	AC-30	1/2	32	1	58	AM-3-4	AM-3-6
AL20-1	20,000	41 ⁵ / ₈	34 ¹ / ₂	2 ¹ / ₄	AC-34	1/2	36	1 ¹ / ₈	75	AM-4-4	AM-4-6
AL36-1	36,000	49 ⁵ / ₈	46 ⁵ / ₈	3 ³ / ₄	AC-46	1/2	50	1 ¹ / ₄	225	AM-4-4	AM-4-6

** Air manifold includes lightweight aluminum console, ball valve on/off control, four flow control valves, pressure gauge, and four 20 foot long hose assemblies with quick disconnects. (Six flow controls and six hose assemblies for six unit Air Manifold)

- To Order:
1. Specify quantity and model number of Loadmovers required.
 2. Select Air Manifold Package used with specified Loadmovers.
 3. It is recommended a spare air caster be included with order.