



TWO POSITION TURNTABLE WITH ROTATE DECKS

**BULLETIN
NO. 106E-8**

TURNTABLE SPECIFICATIONS

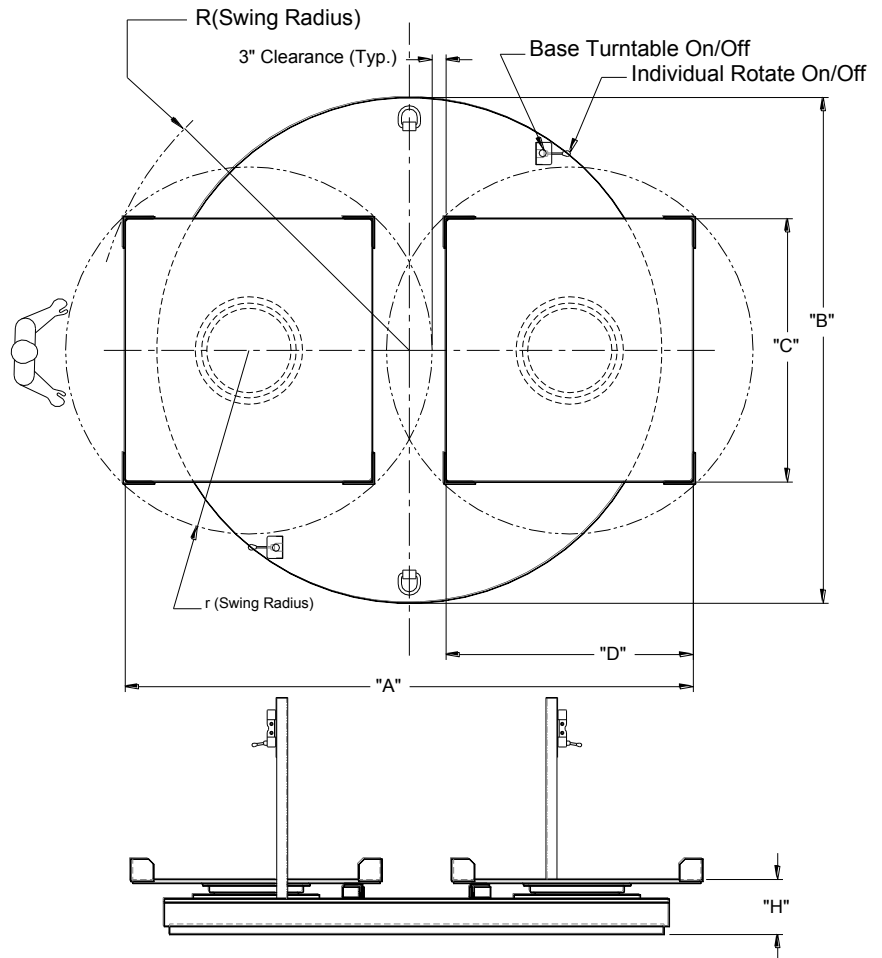
- Capacity: 4,000 lbs. Per Position
- Requires 30-40 CFM
- Pressure Of 65 to 100 PSI
- Manual Rotation

AVAILABLE OPTIONS

- Powered Rotation
- Automatic Shutoff
- Rotation Stops

ROTATE DECK OPTIONS

- 90° or 180° Detents
- Mechanical Lock
- (For Mechanical Rotates)



These Two Position Turntables Are Available With Mechanical Bearing Rotate Decks or Air Caster Rotate Decks. See The Following Features To Assist In Selecting The Type For Your Application.

AIR CASTER ROTATE

- Lowest Force Required For Rotation
- Automatically Locks In Position When Air Is Shut Off
- Very Low Maintenance
- Limited Off-Center Load Capacity

MECHANICAL ROTATE

- Best Off-Center Load Capacity
- Easy Manual Rotation
- Pneumatic Brake Is Standard

Boxed Section is Container Space.

MODEL NO. *	ROTATE TYPE	DIMENSIONS (in.)							WT. (lbs.)
		A	B	C	D	H	R	r	
TR2-3835M	MECHANICAL	81	78	38	35	9 ³ / ₄	44 ³ / ₄	26 ³ / ₈	2,975
TR2-5047M	MECHANICAL	108	96	50	47	9 ³ / ₄	60	34 ⁷ / ₈	4,545
TR2-5047A	AIR CASTER	108	96	50	47	10 ⁷ / ₈	60	34 ⁷ / ₈	4,560
TR2-5650M	MECHANICAL	116	108	56	50	9 ³ / ₄	65	38	4,840
TR2-5650A	AIR CASTER	116	108	56	50	10 ¹ / ₈	65	38	4,860

* OTHER SIZES AVAILABLE. CONSULT FACTORY.