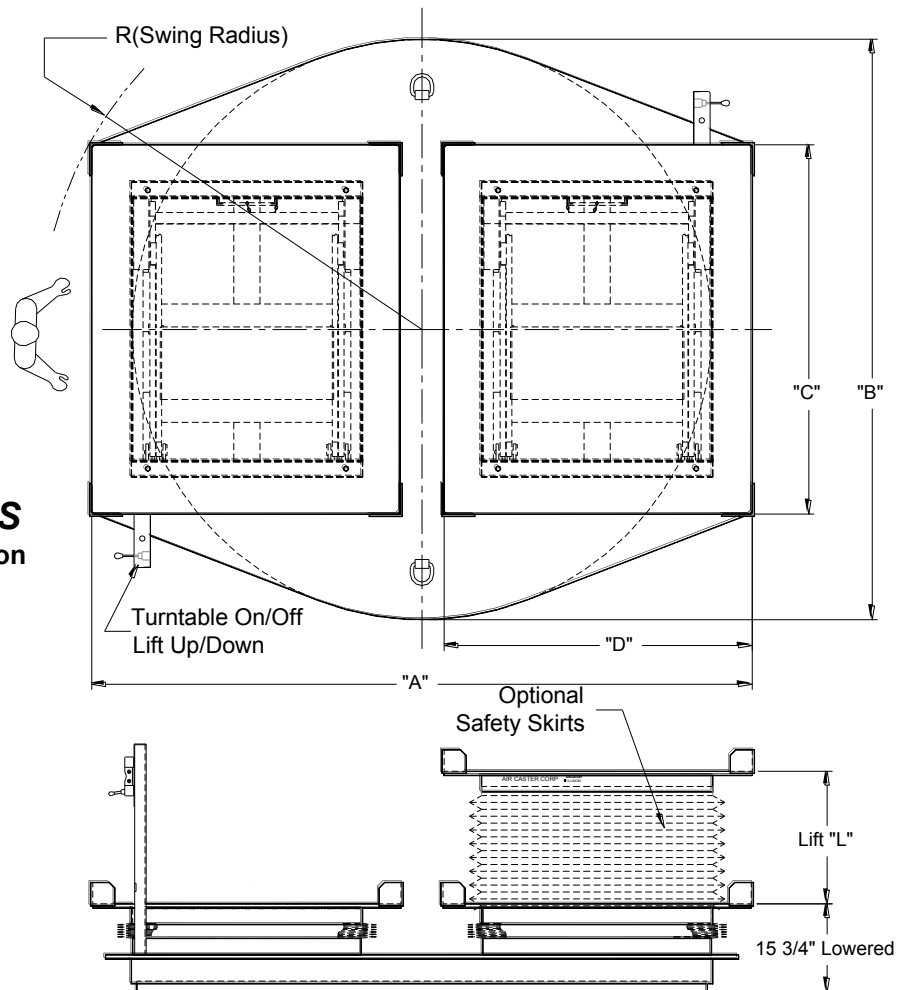




# TWO POSITION TURNTABLE WITH PNEUMATIC LIFTS

BULLETIN  
NO. 106E-6



## TURNTABLE SPECIFICATIONS

- Capacity: 2,000 & 4,000 lbs. Per Position
- Requires 30-40 CFM
- Pressure Of 85 to 100 PSI
- Manual Rotation

## AVAILABLE OPTIONS

- Powered Rotation
- Automatic Shutoff
- Rotation Stops
- Safety Skirts On Lifts

Boxed Section is Container Space

MODEL NO. *	CAPACITY PER POSITION (lb.)	DIMENSIONS (in.)					LIFT "L" (in.)	WT. (lbs.)
		A	B	C	D	R		
TL2-3835	2,000	73	72	38	35	41 <sup>3</sup> / <sub>4</sub>	20	2,970
TL2-8242	2,000	90	84	82	42	61 <sup>1</sup> / <sub>8</sub>	24	5,155
TL4-8242	4,000	90	84	82	42	61 <sup>3</sup> / <sub>8</sub>	24	5,185
TL2-5047	2,000	97	96	50	47	55 <sup>5</sup> / <sub>8</sub>	24	5,430
TL4-5047	4,000	97	96	50	47	55 <sup>5</sup> / <sub>8</sub>	24	5,460
TL2-5650	2,000	103	102	56	50	59 <sup>5</sup> / <sub>8</sub>	24	5,730
TL4-5650	4,000	103	102	56	50	59 <sup>5</sup> / <sub>8</sub>	24	5,760
TL4-11050**	4,000	103	102	110	50	75 <sup>5</sup> / <sub>8</sub>	24	7,530
TL4-9856**	4,000	115	96	98	56	76 <sup>1</sup> / <sub>8</sub>	24	7,400

\* OTHER SIZES AVAILABLE. CONSULT FACTORY.

\*\* THESE MODELS HAVE DUAL SCISSOR LIFTS.