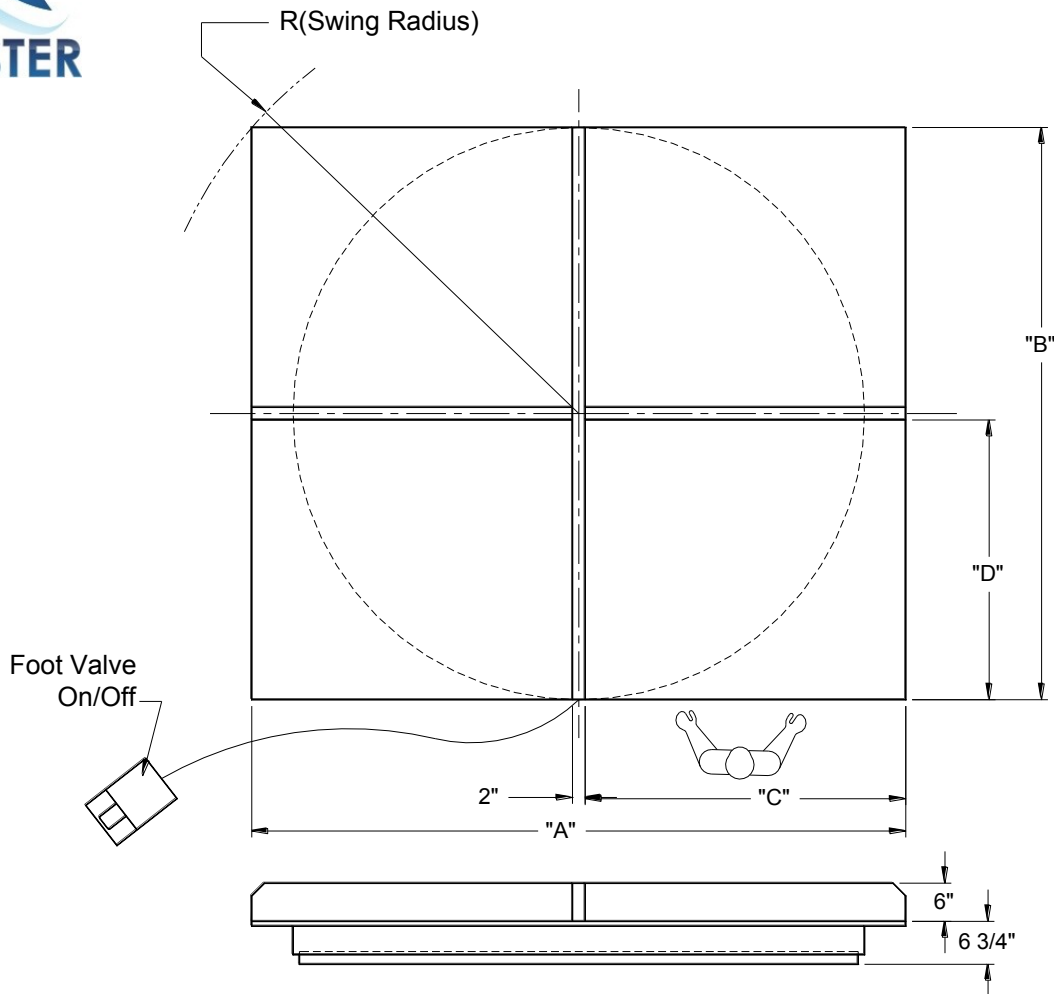




# FOUR POSITION PLATFORM STYLE TURNTABLES SIDE BY SIDE CONFIGURATION

**BULLETIN  
NO. 106E-3  
Page 1 of 2**



## TURNTABLE SPECIFICATIONS

- Capacity Is 2,000 & 4,000 lbs. Per Position
- Requires 30-40 CFM
- Pressure Of 60 to 100 PSI
- Manual Rotation

Boxed Section is Container Space.

MODEL NO. *	CAPACITY Per POSITION	DIMENSIONS (in.)					WT. (lbs.)
		A	B	C	D	R	
T42-3835	2,000	78	72	38	35	53 <sup>1</sup> / <sub>8</sub>	2,250
T42-5047	2,000	102	96	50	47	70	3,580
T44-5047	4,000						
T42-5650	2,000	114	102	56	50	76 <sup>1</sup> / <sub>2</sub>	4,075
T44-5650	4,000						

## AVAILABLE OPTIONS

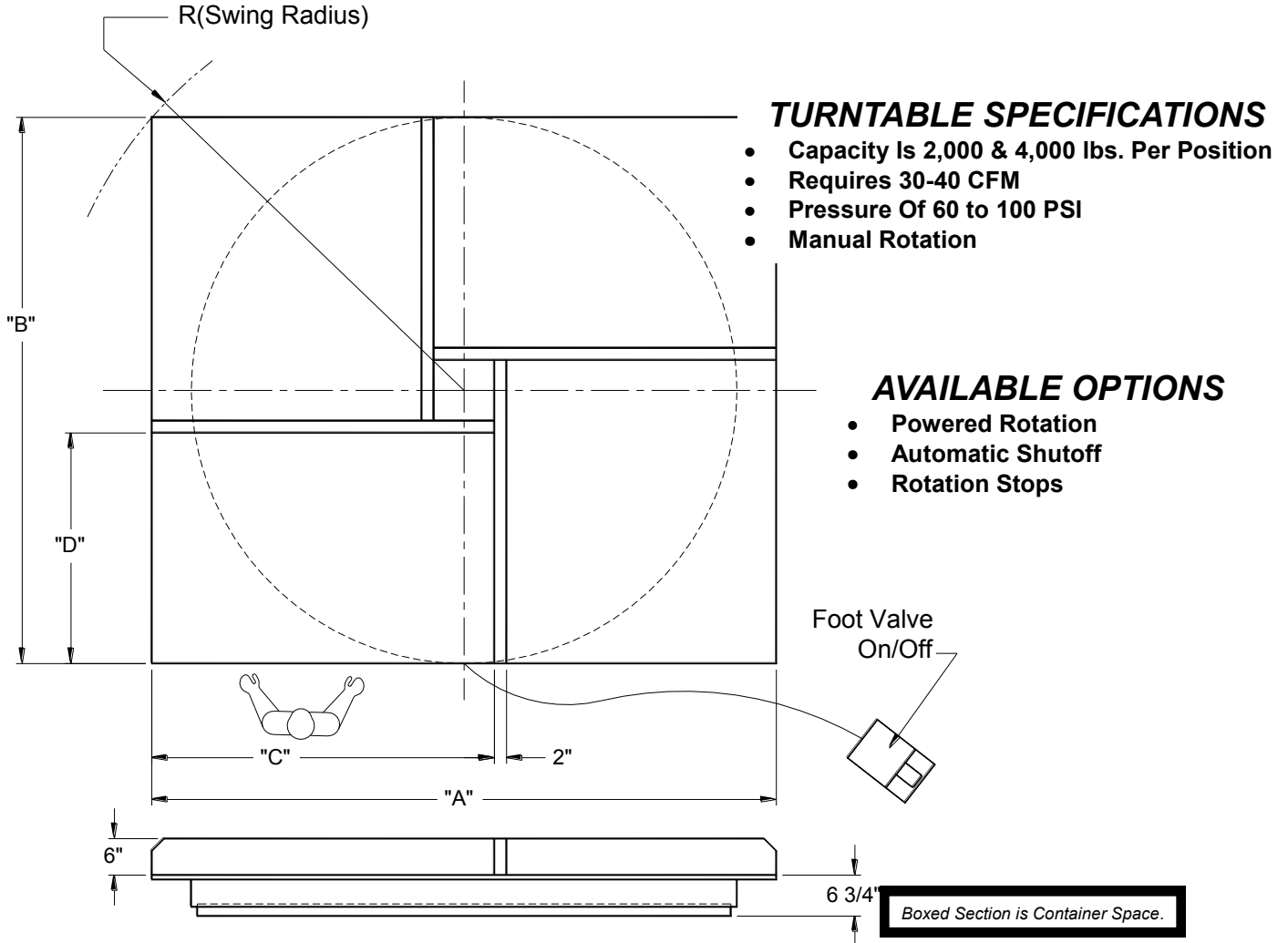
- Powered Rotation
- Automatic Shutoff
- Rotation Stops

\* OTHER SIZES AVAILABLE. CONSULT FACTORY.

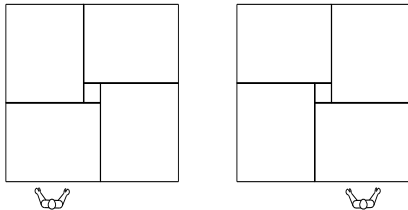


# FOUR POSITION PLATFORM STYLE TURNTABLES SIDE TO END CONFIGURATION\*

**BULLETIN  
NO. 106E-3  
Page 2 of 2**



\* SIDE TO END CONFIGURATION CAN BE SUPPLIED AS "LEFT HAND" (SHOWN) or "RIGHT HAND" UNITS.



MODEL NO. **	CAPACITY PER POSITION	DIMENSIONS (in.)					WT. (lbs.)
		A	B	C	D	R	
T42-3835-XX	4,000	75	75	38	35	53	2,315
T42-5047-XX	2,000	99	99	50	47	70	3,750
T44-5047-XX	4,000						
T42-5650-XX	2,000	108	108	56	50	76%	4,395
T44-5650-XX	4,000						
T42-8240-XX	2,000	124	124	82	40	87%	5,430
T44-8240-XX	4,000						
T44-9856-XX	4,000	156	156	98	56	110%	7,650

\*\* -XX: COMPLETE MODEL NO. BY ADDING L.H. or R.H.